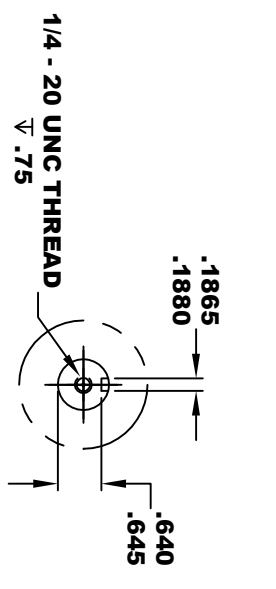
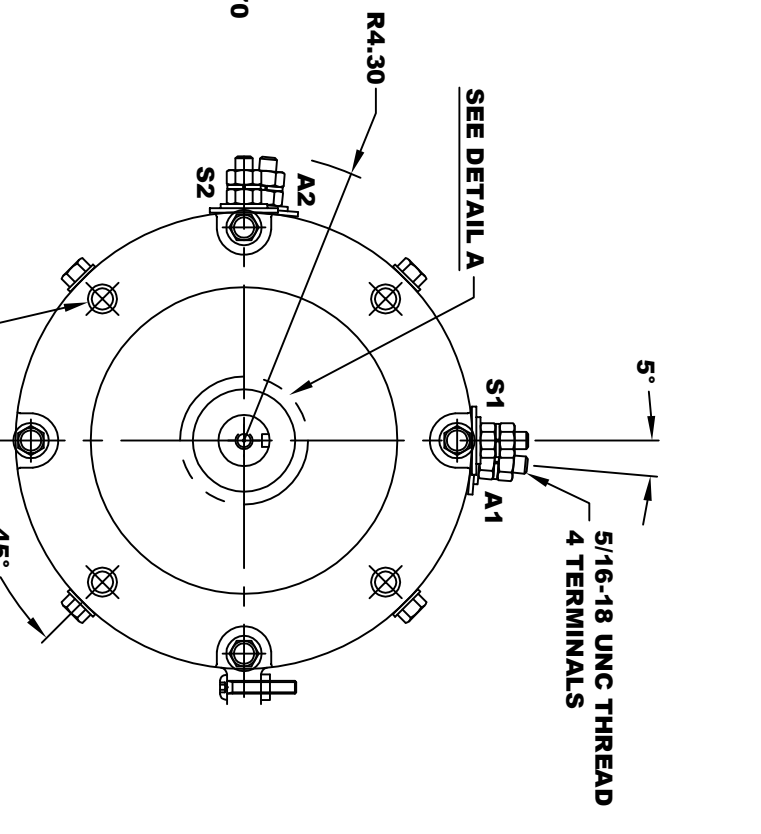
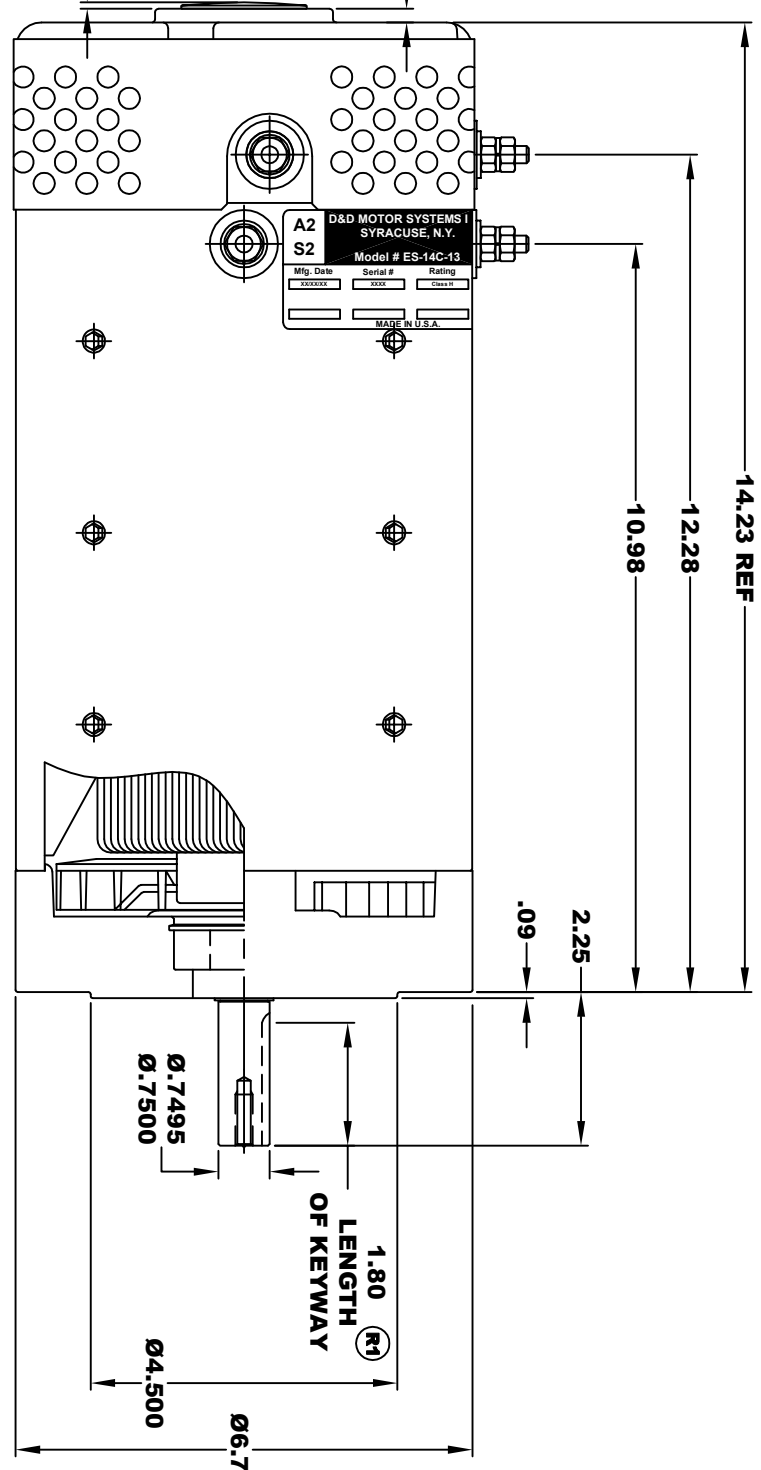
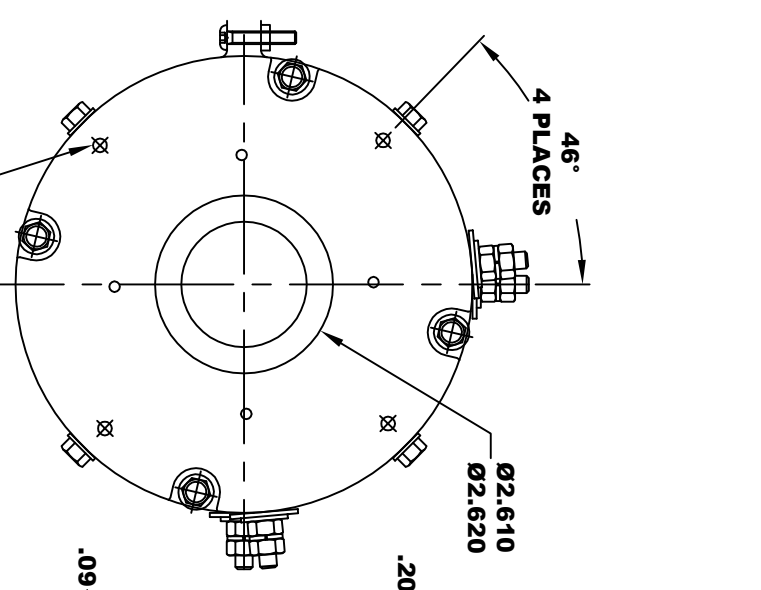
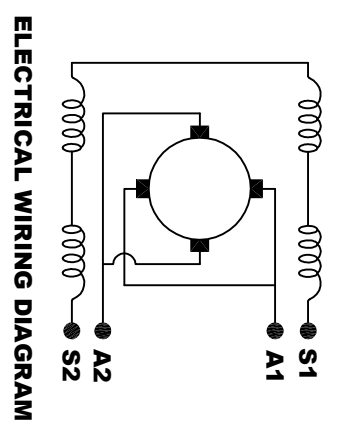


D&D MOTOR SYSTEMS INC.			
SYRACUSE N.Y.			
A2	S2	A1	S1
Model # ES-14C-13			
Mfg. Date	Serial #	Rating	Voltage
XX/XX/XX	XXXX	Class H	36 / 48
MADE IN U.S.A.			

**TORQUE SPECIFICATION FOR
POWER CABLE SECURING TOP NUTS
5/16-18 UNC - 110 IN / LBS MAX**



**MOTOR WEIGHT: 79 LBS
CLASS "H" INSULATION
PERFORMANCE SPEC: 13**



MOTOR WIRING CONNECTIONS:
CW ROTATION DRIVE END
CONNECT S2 & A1 TOGETHER
CONNECT S1 TO BATTERY TERMINAL
CCW ROTATION DRIVE END
CONNECT A2 TO OTHER BATTERY TERMINAL
CONNECT S1 & S2 CONNECTIONS

THIS PRINT IS THE PROPERTY OF D&D MOTOR SYSTEMS INC.
DO NOT SCALE
WORK TO DIMENSIONS
TOLERANCES UNLESS OTHERWISE SPECIFIED ARE AS FOLLOWS
.XX _____ .01
.XXX _____ .005
.XX ROUGH CASTING _____ .03
HOLES _____ .001 / +.006
ANGLES _____ 0°30"

D & D MOTOR SYSTEMS INC

MOTOR OUTLINE

SIZE	DRAWN DATE	RELEASE DATE	DWG NO. / PART NO.	REV
B	4-11-19		ES-14C-13	R1
SCALE	STF	DRAWN BY	MJG	REV DATE
				4-22-19